

GENERAL INFORMATION

- Read all instructions before installation.
- Not for use for temperature fall below 5°C or exceed 35°C.
- For Indoor use only.
- For uses with Incandescent and Halogen only.
- For 220-240 VAC 50Hz voltage system without neutral wiring needed.

CAUTION: Before installing or performing of any services on EasyLight products. The power MUST be turned off at the branch circuit breaker to ensure personnel safety. Even though the product is designed for ease to install, it is still recommend that electrical installation should be carried out by a qualified electrician.

GENERAL DESCRIPTION

Easy Dimmer Model: ED101 is designed in order to replace a conventional dimmer switch but with remote control function incorporated. Easy Dimmer allows user to turn ON and OFF lighting loads as well as Dim-Up and Dim-Down manually or over a Remote Control. Easy Dimmer possesses an internal memory which can memorize the last dimming value even

though after the mains supply is failure and restored. Innovated and patented by EasyLight, it is designed to be ease of installation without neither extra wiring nor rewiring needed. Easy Dimmer is digitally controlled by microprocessor and can be installed up to 15 units within one room.

TECHNICAL DATA

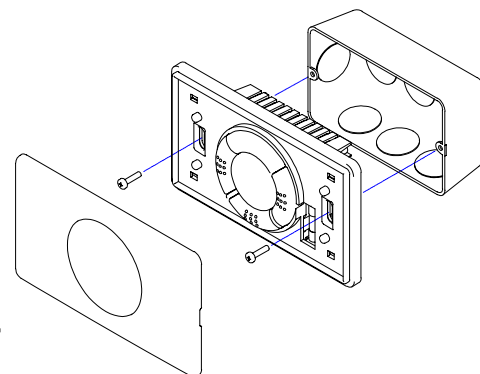
Operating Voltage:
Power Rating:
Luminaries Types:
Control Unit:
Operating Temperature:
Overall Dimension:

220 – 240 VAC, 50Hz
600 watt
Incandescent, Halogen
Digital microcontroller 8 bits with EasyLight protocol
5-35°C
120mm(W)x70mm(H)x38mm(D)

*** In the interest of continuous improvement, we reserve the right to change the specification without prior notice*

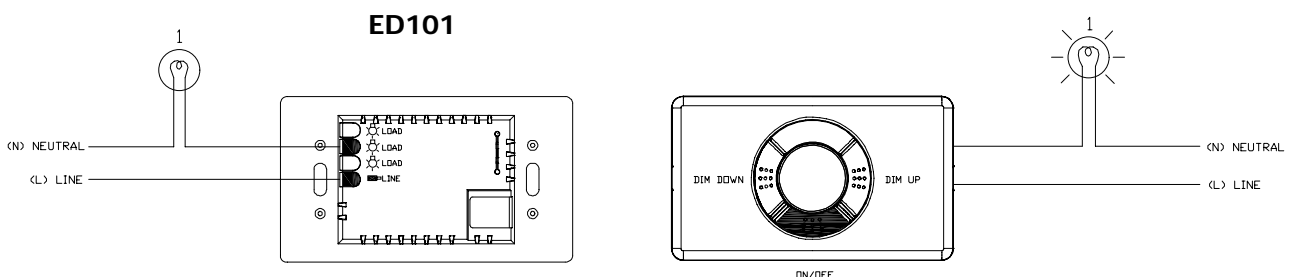
INSTALLATION

Easy Dimmer can replace one dimmer switch in any standard one-gang box. It may be installed in the same manner as an ordinary dimmer switch as shown in the picture. For safety purposes, before installing or doing any services, the power must be turned OFF at the circuit breaker panel. Easy Dimmer also has self-protection on front cover where fuse protection is installed. We recommend removing this front cover before installation or changing new lamp bulbs, this may prevent from any short circuit. If replacement of fuse is required, 6.3 Amps with same type rating is to be used. Wire Easy Dimmer as described below in the wiring section then select proper address as described in an address setting attached in separated sheet.



WIRING DIAGRAMS

Verify that connected loads do not exceed its maximum power ratings. There is no minimum load requirement. Connected loads must be Incandescent or Halogen lamps type only. Wiring diagram is shown in the below picture.



After wiring and installing Easy Dimmer into the junction box, restoring the power to the lighting circuit. The neon lamp shows status of switch will light up. By pressing on the button once, the neon lamp will turn-off and the lamp load will turn on. Press the button once again, the neon lamp and lamp load will turn on and off vice versa. When lamp load turn-on, press the button dim-up and dim-down the lamp load will dim-up and dim-down

accordingly. Check again with the remote control to verify wiring connection and address setting. Press the remote control button and release (within 0.5 sec) will turn-on and turn-off the lamp load. Hold the button down while lamp load turn-on will dim-up and dim-down the lamp load. Release the button when needed will stop dimming. Since Easy Dimmer uses infrared signal, the solid object should not be obstructed in between.